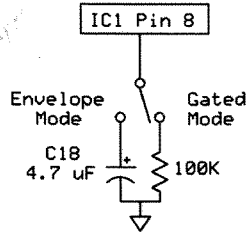
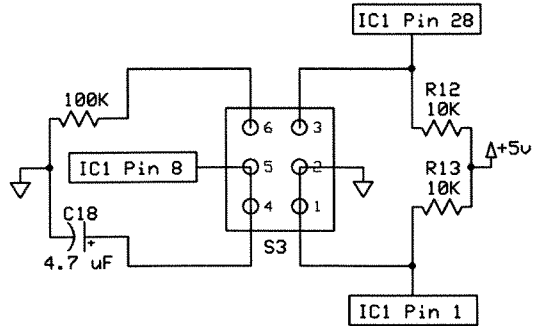


Adding Gated Mode to the SN-Voice Module

A SPDT Switch and a 100K Resistor are added to provide the 'Gated' mode.



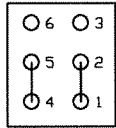
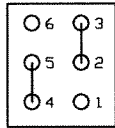
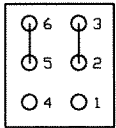
Up Position - Locked Mode



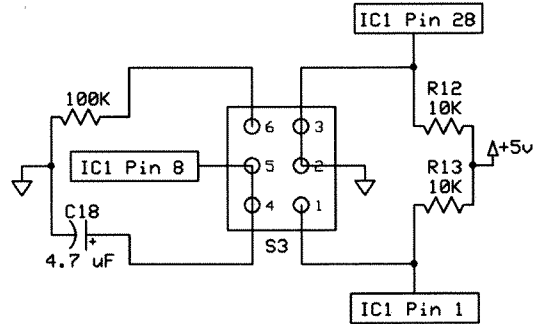
Instead of adding an extra switch, a C&K 7211 switch can replace the S3 "Envelope Lock" Switch

C&K 7211

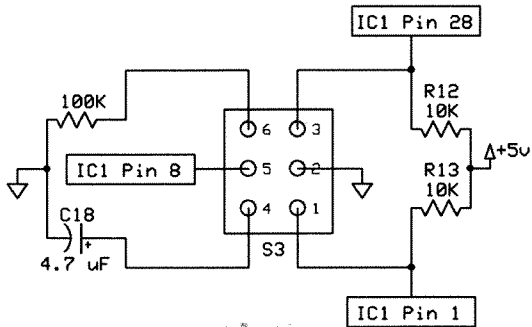
Down Position Middle Position Up Position



Middle Position - Envelope Mode



The C&K 7211 Switch would be wired like this.



Down Position - Gated Mode

